



Recorder



Flow



Pressure



Temp



Analyzer



Level

Datasheet

Ultrasonic Mud Level Meter

SUP-JFC

Supmea

Committed to process automation solutions

Tel: 86-15158063876

E-mail: info@supmea.com

www.supmea.com

Ultrasonic Mud Level Meter SUP-JFC

The Ultrasonic Mud Level Meter is instrument of measured sludge, which is contact, high reliability, cost-effective, easy to install and maintain. It achieves the detection of underwater sludge level by spreading of the liquid and owns the independent property rights with development for many years by our company.



Parameters	
Function	Split Type
Range	Conventional:5m、10m、15m、20m Customized: 30m、40m、50m、60m、70m
Accuracy	1%~3%
Resolution	5mm or 0.5% (maximum)
Display	Chinese and English LED
Analog Output	4~20mA/750Ω load
Relay Output	Two group of Single Channel AC 250V/8A or DC 30V/ 5A Status can be programmed
Power supply	Standard: 220V AC+15% 50Hz Option:24VDC 120mA Customize: 12VDC or battery
Environment Temperature	LED : -20~+60℃ Probe : 20~+80℃
Communication	Option:485,232 Communication(manufactures agreement)
Protection Grade	LED: IP65 Probe: IP68
Cable Probe	Standard 10m, the longest is 100m
Probe installation	According to range and the type of probe
Power Consumption	Power supply:24V, No relay: 100mA Channel 1 of Relay: 120mA; Channel 2 of Relay: 145mA; Channel 3 of Relay: 170mA; Channel 4 of Relay: 190mA; The specific power is as follows: No relay: 24×100mA=2.4W; Channel 1 of Relay: 24×120mA=2.9W; Channel 2 of Relay: 24×145mA=3.5W; Channel 3 of Relay: 24×170mA=4.1W; Channel 4 of Relay: 24×190mA=4.6W;

Wiring

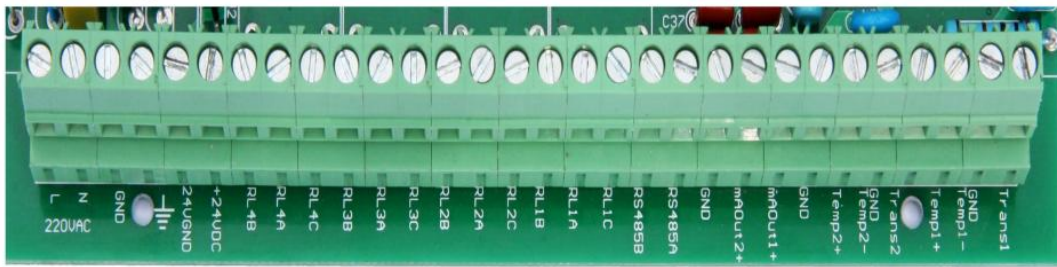


Figure 1 The wiring instructions of single-channel ultrasonic mud level meter

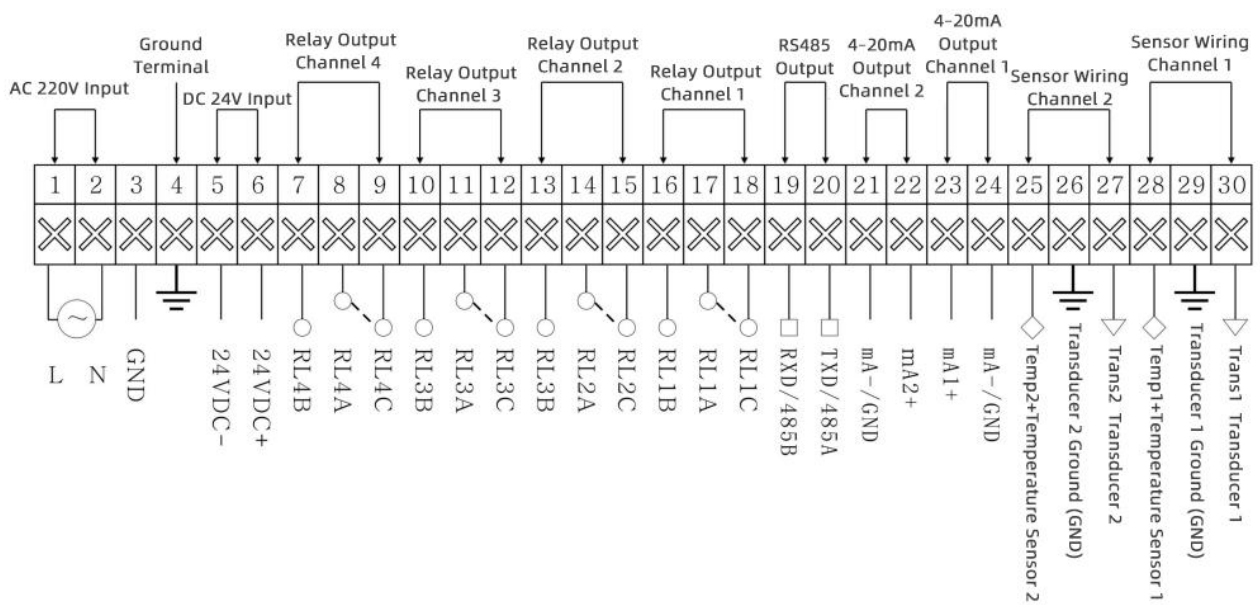


Figure 2 The terminal block details

Dimension

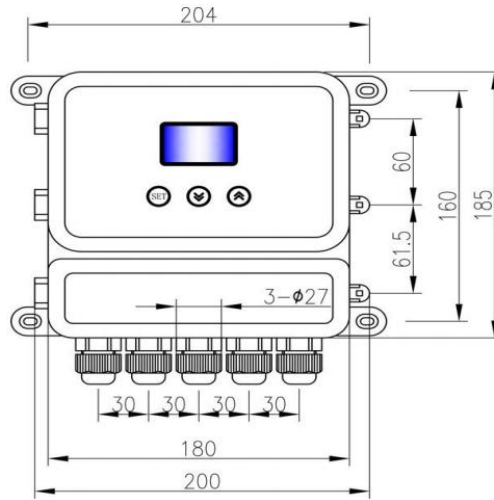


Figure 3 The mounting dimension of split type mm

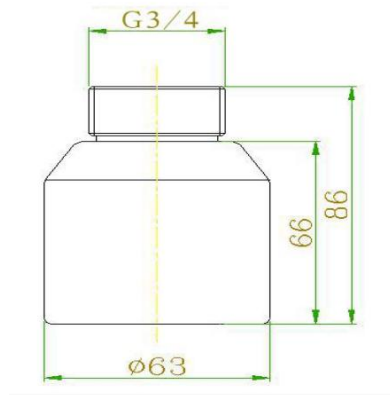


Figure 4 The probe mounting dimension of the split type mm

Ordering code

SUP-JFC-E-NS-Q-SA-WD-10							Description
SUP-JFC	-	-	-	-	-	-	
Measurement Range and Thread Type	E						5m, G3/4 Thread
	F						10m, G3/4 Thread
	G						15m, G3/4 Thread
	P						20m, G3/4 Thread
	X						Others
Probe Material	NS						Plastic ABS
	N6						Polytetrafluoroethylene (PTFE)
	XX						Others
Accuracy		Q					3.0 Level
Output	SA						4-20mA, 24VDC
	SH						4-20mA+ Dual Group SPDT, 24VDC
	SM						4-20mA+ Four Group SPDT, 24VDC
	SE						4-20mA+RS485, 24VDC
	SQ						4-20mA+ Dual Group SPDT+RS485, 24VDC
	SU						4-20mA+ Four Group SPDT+RS485, 24VDC
	SB						4-20mA, 220VAC
	2J						4-20mA+ Dual Group SPDT, 220VAC
	SN						4-20mA+ Four Group SPDT, 220VAC
	SF						4-20mA+RS485, 220VAC
	2K						4-20mA+ Dual Group SPDT+RS485, 220VAC
	SV						4-20mA+ Four Group SPDT+RS485, 220VAC
XX						Others	
Electrical Interface, Housing Material and Level of Protection				WD			M18×1.5 Cable Gland, Engineering Plastic, IP68
Probe Cable Length					10		10m
					15		15m
					20		20m
					30		30m
					XX		Others